

# XD8

MINI PILING RIG



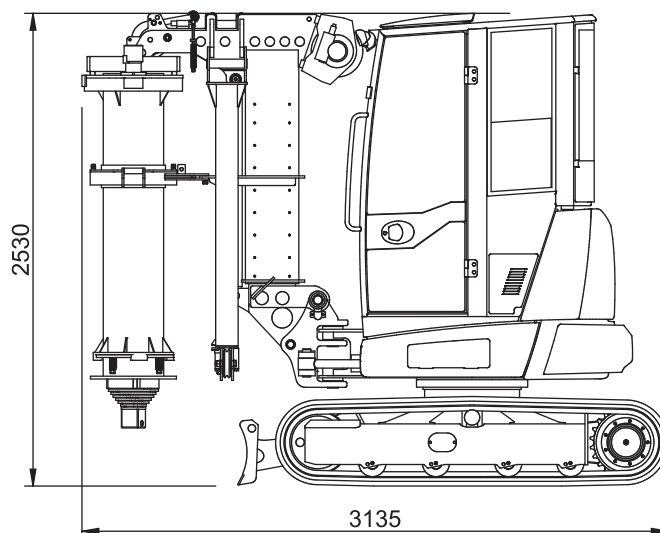
 **GEAX**



# XD8

## TECHNICAL DATA SHEET

<b>BASE</b>		<b>EUROCOMACH ES28.2ZT</b>
Engine	<i>type</i>	KUBOTA D1503-M
Engine power	<i>kW (hp)</i>	29.3 (33.4)
Undercarriage length	<i>mm - ft</i>	2100 - 6.9
Width over tracks	<i>mm - ft</i>	1550 - 5.1
Shoe width	<i>mm - in</i>	280 - 11
<b>HYDRAULIC SYSTEM</b>		
Main pump	<i>l/min</i>	105
Auxiliary pump	<i>l/min</i>	10
Hydraulic pressure	<i>bar</i>	250
<b>MAST</b>		
Forward inclination	<i>deg</i>	4
Backward inclination	<i>deg</i>	4
Lateral inclination	<i>deg</i>	4
Mast vertical stroke	<i>mm - ft</i>	900 - 3
<b>ROTARY</b>		
Nominal torque	<i>kNm - lbf ft</i>	8 - 5.900
Drilling speed	<i>rpm</i>	20 ÷ 40
Spin off speed	<i>rpm</i>	40
<b>WINCHES</b>		
Main winch line pull	<i>kN - lbf</i>	15 - 3.400
Aux winch line pull	<i>kN - lbf</i>	5 - 1.130
<b>CROWD SYSTEM</b>		
Pull down force	<i>kN - lbf</i>	25 - 5.600
Extraction force	<i>kN - lbf</i>	40 - 9.000
<b>EXCAVATION</b>		
Max pile diameter	<i>mm - in</i>	600 - 24
Max pile depth	<i>m - ft</i>	12 - 40
Min working height	<i>mm - ft</i>	2.800 - 9.2
<b>TRANSPORT</b>		
Length	<i>mm - ft</i>	3.135 - 10.3
Width	<i>mm - ft</i>	1.550 - 5.1
Height	<i>mm - ft</i>	2.530 - 8.3
Weight	<i>kg - lbs</i>	3.800 - 8.350







Via Campoceraso 13 - 60027 OSIMO (AN) ITALY

Tel: +39 0717131953 - Fax: +39 071715199  
geax.it - info@geax.it